

Series 16M – General Purpose Control

Series 16HM – High Sensitivity Version

- ▶ Compact Size
- ▶ Modular Plug-In Design
- ▶ LED Monitoring
- ▶ Surge Protection
- ▶ Various Time Delays
- ▶ Low Voltage Sensor
- ▶ Solid State Reliability
- ▶ Up to 5.5 Million Ohms/cm Sensitivity
- ▶ 8-Pin Plugs
- ▶ CSA Approved
- ▶ U.L. "Motor Control"

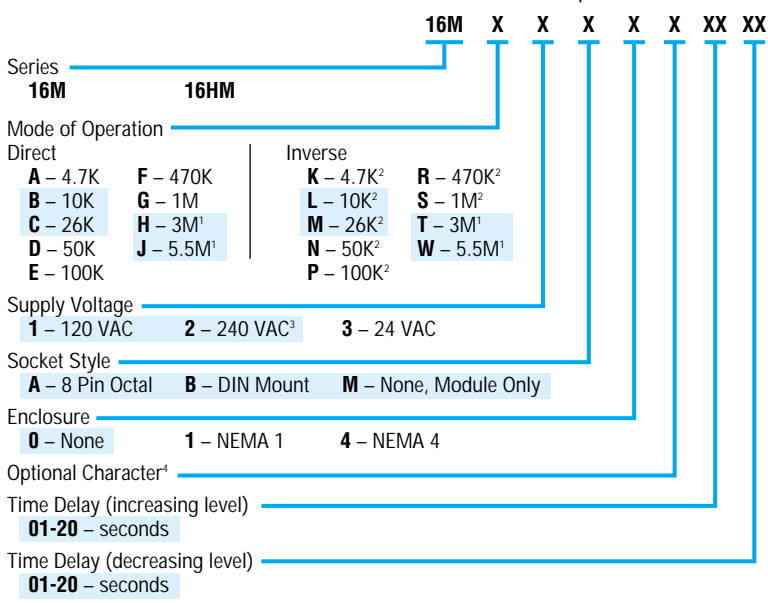
Engineered for general purpose single-level or differential service, Series 16M controls combine the reliability of solid state electronics and the convenience of plug-in design. Series 16HM provides higher sensitivity up to 5.5M ohm/cm (probe voltage is 12 VDC).

Specifications

Contact Design	1 N.O. & 1 N.C. (1 form C)
Contact Rating (120/240 VAC)	10 amp Resistive 1/3 hp
Mode of Operation	Direct/Inverse, factory set
Sensitivity	
Series 16M	0-1M ohm, factory set
Series 16HM	0-5.5M ohm, factory set
Primary Voltage	24 VAC, 120 VAC, 240 VAC (+10%/-15%), 50/60 Hz
Secondary Voltage	
Series 16M	12 VAC, 1.5 mA
Series 16HM	12 VDC
Temperature	-40°F to 150°F
Approvals	U.L. 508 File # E44426, CSA
Terminal Style	Screw connector
Options	Time Delays

How to Order

Use the **Bold** characters from the chart below to construct a product code.



Notes:
 1. 16HM only. 2. 16M only.
 3. Standard on 16M only. 4. See page E-29 for descriptions.

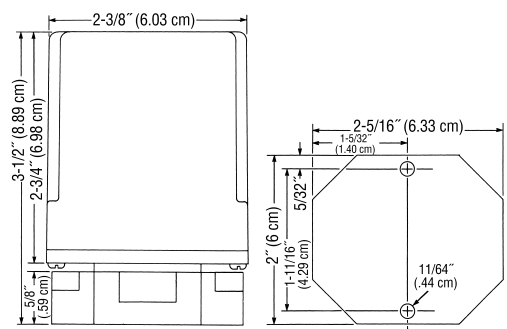


Series 16M

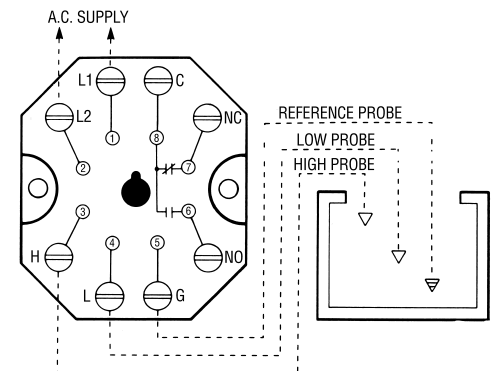
Applications

- Single Level Service
- Differential Service
- Point Level
- Alarms
- Valve Control
- Pump Control

Dimensions



Wiring



Note: For single level service, use "H" and "G" connections.

CONDUCTIVITY